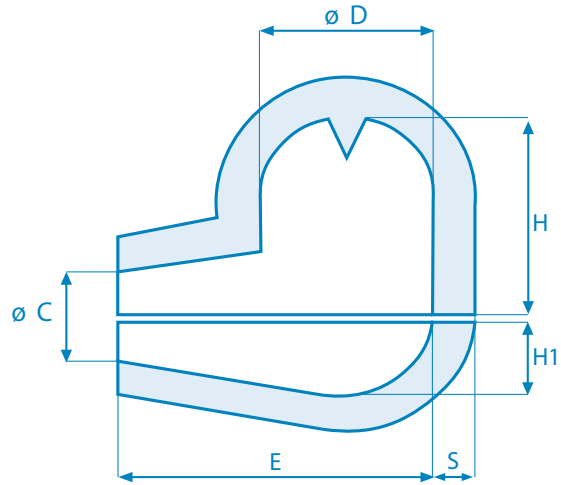




KOMPLET SLEEVES TERMIK ISOL53- ISOL30

TYPE **F**



TYPE	C mm	H1 mm	H mm	D mm	E mm	S mm	Capacity dm ³	Termik Modulus
F50	35	25	80	50	100	9	0,235	1,00
F2	40	30	100	60	100	9	0,370	1,30
F3	40	40	120	80	130	10	0,825	1,70
F4	60	50	100	100	160	11	1,525	2,40
F5	70	60	125	120	200	12	2,575	2,90
F6	80	70	140	140	245	14	3,225	3,30
F7	90	80	160	160	80	15	4,900	4,10
F8	100	90	180	180	320	16	7,000	4,70
F9	110	100	200	200	360	17	9,375	5,10
F10	140	125	250	250	440	18	17,650	4,90
F11	160	150	300	300	490	19	29,000	8,50

Date of issue
JULY 2015

Board authorization

TOLERANCES

DIMENSION	DIAMETER	THICKNESS	HEIGHT	CAPACITY
30-100	± 5 mm	-2 mm	-15 mm	±3%
110-200	± 5 mm	-2 mm	-20 mm	±3%
220-300	± 5 mm	-3 mm	-30 mm	±3%