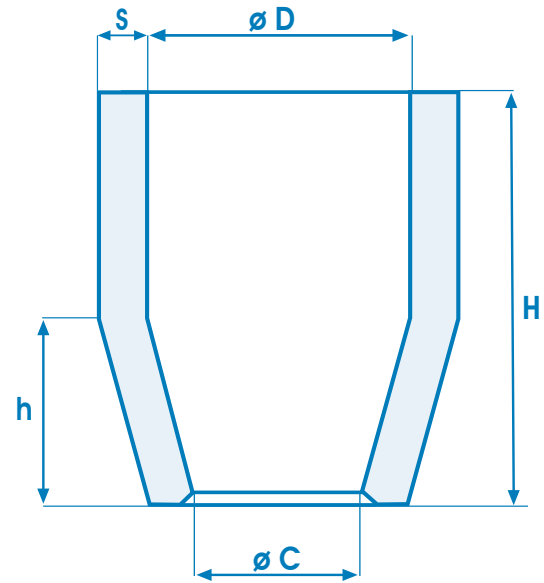




## NARROW-NECKED SLEEVES TERMIK ISOL 53 - ISOL 30

TYPE **TB**



TYPE	D mm.	C mm.	S mm.	h mm.	H mm.	Capacity dm <sup>3</sup>	Termik Modulus
TB120	120	84	13	54	180	1,87	2,70
TB130	130	91	15	59	195	2,36	3,30
TB140	140	98	15	63	210	2,96	3,60
TB150	150	105	16	68	225	3,63	3,90
TB160	160	112	17	72	240	4,41	4,20
TB170	170	119	19	77	255	5,3	4,60
TB180	180	126	20	81	270	6,29	4,90
TB190	190	133	21	85	285	7,41	5,30
TB200	200	140	22	90	300	8,64	5,60
TB210	210	147	23	95	315	9,99	5,90
TB220	220	154	24	99	330	11,49	6,20
TB240	240	168	25	108	360	14,92	6,50

Date of issue  
JULY 2015

Board authorization

### TOLERANCES

DIMENSION	DIAMETER	THICKNESS	HEIGHT
30-100	± 5 mm	-2 mm	-10 mm
110-200	± 5 mm	-2 mm	-10 mm
220-300	± 5 mm	-3 mm	-10 mm