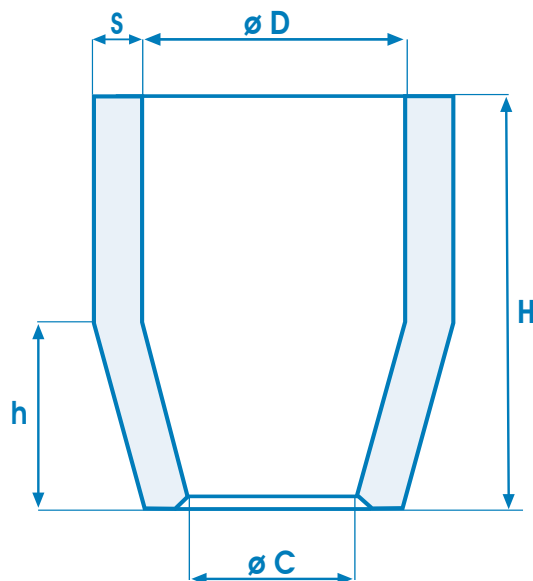




# MANCHONS TRONCONIQUES TERMIK ISOL 53 - ISOL 30



TYPE **TB**

| type  | D mm. | C mm. | S mm. | h mm. | H mm. | Volume dm <sup>3</sup> | Modulo Termik |
|-------|-------|-------|-------|-------|-------|------------------------|---------------|
| TB120 | 120   | 84    | 13    | 54    | 180   | 1,87                   | 2,70          |
| TB130 | 130   | 91    | 15    | 59    | 195   | 2,36                   | 3,30          |
| TB140 | 140   | 98    | 15    | 63    | 210   | 2,96                   | 3,60          |
| TB150 | 150   | 105   | 16    | 68    | 225   | 3,63                   | 3,90          |
| TB160 | 160   | 112   | 17    | 72    | 240   | 4,41                   | 4,20          |
| TB170 | 170   | 119   | 19    | 77    | 255   | 5,3                    | 4,60          |
| TB180 | 180   | 126   | 20    | 81    | 270   | 6,29                   | 4,90          |
| TB190 | 190   | 133   | 21    | 85    | 285   | 7,41                   | 5,30          |
| TB200 | 200   | 140   | 22    | 90    | 300   | 8,64                   | 5,60          |
| TB210 | 210   | 147   | 23    | 95    | 315   | 9,99                   | 5,90          |
| TB220 | 220   | 154   | 24    | 99    | 330   | 11,49                  | 6,20          |
| TB240 | 240   | 168   | 25    | 108   | 360   | 14,92                  | 6,50          |
|       |       |       |       |       |       |                        |               |
|       |       |       |       |       |       |                        |               |
|       |       |       |       |       |       |                        |               |
|       |       |       |       |       |       |                        |               |
|       |       |       |       |       |       |                        |               |
|       |       |       |       |       |       |                        |               |
|       |       |       |       |       |       |                        |               |
|       |       |       |       |       |       |                        |               |
|       |       |       |       |       |       |                        |               |
|       |       |       |       |       |       |                        |               |
|       |       |       |       |       |       |                        |               |
|       |       |       |       |       |       |                        |               |
|       |       |       |       |       |       |                        |               |
|       |       |       |       |       |       |                        |               |
|       |       |       |       |       |       |                        |               |
|       |       |       |       |       |       |                        |               |
|       |       |       |       |       |       |                        |               |
|       |       |       |       |       |       |                        |               |
|       |       |       |       |       |       |                        |               |
|       |       |       |       |       |       |                        |               |

Date d'émission  
JUILLET 2015

Autorisation Direction

## TOLÉRANCES

| DIMENSION | DIAMÈTRE | ÉPAISSEUR | HAUTEUR |
|-----------|----------|-----------|---------|
| 30-100    | ± 5 mm   | -2 mm     | -10 mm  |
| 110-200   | ± 5 mm   | -2 mm     | -10 mm  |
| 220-300   | ± 5 mm   | -3 mm     | -10 mm  |