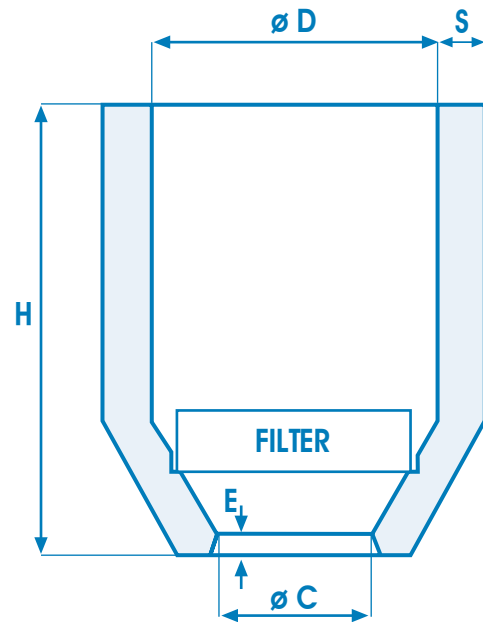




NARROW-NECKED SLEEVES WITH FILTER HOLDER TERMIK ISOL 53 - ISOL 30



TYPE **TPF**

TYPE	Ø Filter	D mm.	C mm.	S mm.	E mm.	H mm	Capacity dm ³
TPF 70	70	100	48	12	4	130	0,73
TPF 90	90	120	60	12	4	150	1,39
TPF 125	125	150	70	15	4	180	2,80
TPF 150	150	175	85	20	5	200	3,95
TPF 175	175	198	100	22	5	250	6,40
TPF 200	200	225	110	24	6	250	7,50

Date of issue
JULY 2015

Board authorization

TOLERANCES

DIMENSION	DIAMETER	THICKNESS	HEIGHT
30-100	± 5 mm	-2 mm	-10 mm
110-200	± 5 mm	-2 mm	-10 mm
220-300	± 5 mm	-3 mm	-10 mm