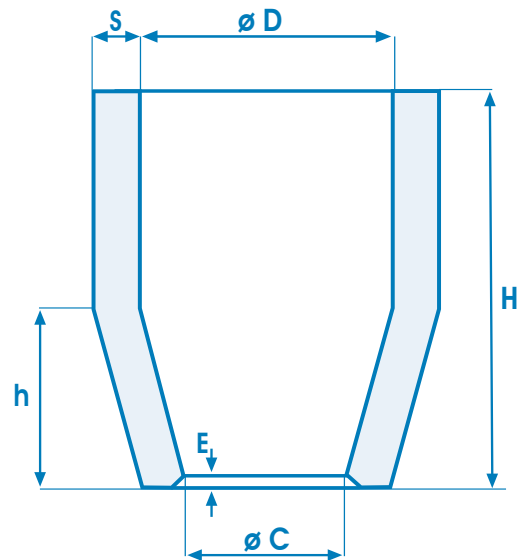




NARROW-NECKED SLEEVES ISO-EXO TERMIK EXO 23 - EXO 25B - EXO 27

TYPE **TXB**



| TYPE | D mm | C mm | E mm | S mm | | | H mm | h mm | Capacity dm ³ | Termik Modulus |
|--------|------|------|------|------|----|-----|------|-------|--------------------------|----------------|
| | | | | 27 | 23 | 25B | | | | |
| TXB120 | 120 | 84 | 3 | 18 | 15 | 180 | 54 | 1,87 | 2,90 | |
| TXB130 | 130 | 91 | 3 | 20 | 17 | 195 | 59 | 2,36 | 3,50 | |
| TXB140 | 140 | 98 | 3 | 21 | 17 | 210 | 63 | 2,96 | 3,80 | |
| TXB150 | 150 | 105 | 3 | 22 | 18 | 225 | 68 | 3,63 | 4,10 | |
| TXB160 | 160 | 112 | 3 | 23 | 19 | 240 | 72 | 4,41 | 4,40 | |
| TXB170 | 170 | 119 | 4 | 24 | 20 | 255 | 77 | 5,30 | 4,80 | |
| TXB180 | 180 | 126 | 4 | 25 | 21 | 270 | 81 | 6,29 | 5,20 | |
| TXB190 | 190 | 133 | 4 | 26 | 22 | 285 | 85 | 7,41 | 5,60 | |
| TXB200 | 200 | 140 | 5 | 27 | 23 | 300 | 90 | 8,64 | 5,90 | |
| TXB210 | 210 | 147 | 5 | 28 | 24 | 315 | 95 | 9,99 | 6,20 | |
| TXB220 | 220 | 154 | 5 | 29 | 25 | 330 | 99 | 11,49 | 6,50 | |
| TXB240 | 240 | 168 | 5 | 31 | 26 | 360 | 108 | 14,92 | 6,80 | |
| | | | | | | | | | | |
| | | | | | | | | | | |
| | | | | | | | | | | |
| | | | | | | | | | | |
| | | | | | | | | | | |
| | | | | | | | | | | |
| | | | | | | | | | | |
| | | | | | | | | | | |
| | | | | | | | | | | |
| | | | | | | | | | | |
| | | | | | | | | | | |
| | | | | | | | | | | |

Date of issue
JULY 2015

Board authorization

TOLERANCES

| DIMENSION | DIAMETER | THICKNESS | HEIGHT |
|-----------|----------|-----------|--------|
| 30-100 | ± 5 mm | -2 mm | -10 mm |
| 110-200 | ± 5 mm | -2 mm | -10 mm |
| 220-300 | ± 5 mm | -3 mm | -10 mm |