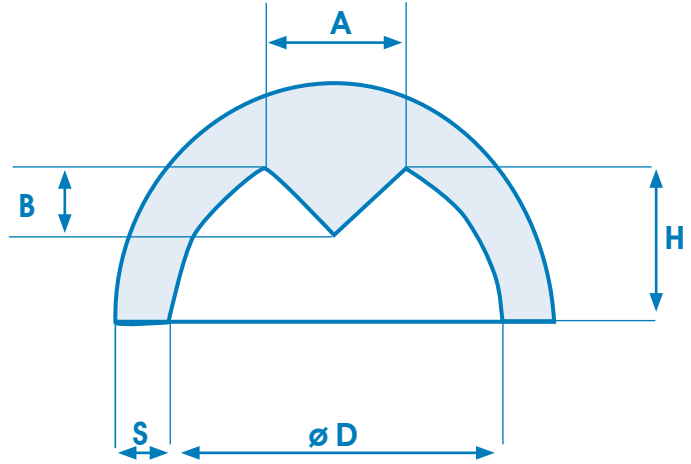




CAPS SLEEVES TERMIK ISOL 53 - ISOL 30



TYPE **U**

TYPE	A mm	B mm	D mm	H mm	S mm	Volume dm ³
U2	20	15	60	28	8	0,05
U3	25	20	80	36	9	0,10
U4	30	25	100	45	10	0,21
U5	35	30	120	55	11	0,38
U6	35	30	140	65	13	0,63
U7	40	30	160	74	14	0,94
U8	40	35	180	83	15	1,30
U9	40	35	200	93	16	1,80
U220	40	40	220	102	16	2,40
U10	45	40	250	117	17	3,60
U11	45	40	300	142	18	6,40
U12	55	50	350	165	19	10,20
U13	55	50	400	188	20	15,20
U14	70	50	450	215	21	22,60
U15	70	50	500	238	22	30,30

Date of issue
JULY 2015

Board authorization

TOLERANCES

DIMENSION	DIAMETER	THICKNESS	HEIGHT	A	B
30-100	± 5 mm	-2 mm	±15 mm	±2 mm	±2 mm
110-200	± 5 mm	-2 mm	±20 mm	±2 mm	±2 mm
220-300	± 5 mm	-3 mm	±30 mm	±3mm	±3 mm
350-600	± 10 mm	-3 mm	±30 mm	±3 mm	±3 mm