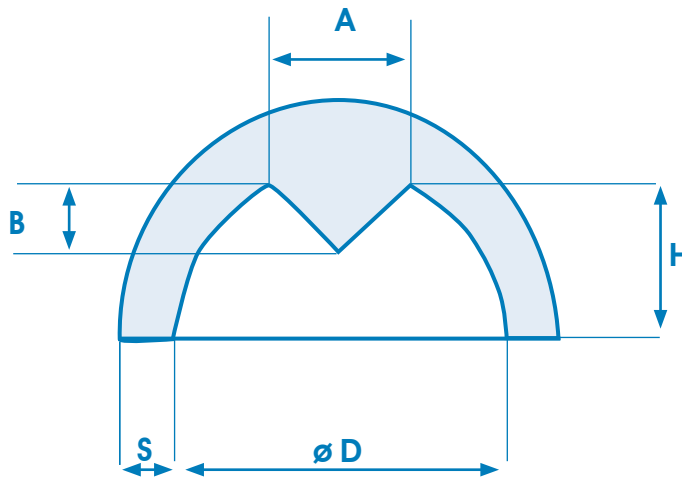




MANCHONS ATMOSPHÉRIQUES ISO-EXO TERMIK EXO23 - EXO25B - EXO27



TYPE **UX**

| TYPE | A mm | B mm | D mm | H mm | S mm | | | Volume dm ³ |
|-------|------|------|------|------|------|----|-----|------------------------|
| | | | | | 27 | 23 | 25B | |
| UX2 | 20 | 15 | 60 | 28 | 12 | 10 | 28 | |
| UX3 | 25 | 20 | 80 | 36 | 13 | 11 | 36 | |
| UX4 | 30 | 25 | 100 | 45 | 14 | 12 | 45 | |
| UX5 | 35 | 30 | 120 | 55 | 15 | 13 | 55 | |
| UX6 | 35 | 30 | 140 | 65 | 19 | 16 | 65 | |
| UX7 | 40 | 30 | 160 | 74 | 21 | 17 | 74 | |
| UX8 | 40 | 35 | 180 | 83 | 22 | 18 | 83 | |
| UX9 | 40 | 35 | 200 | 93 | 23 | 19 | 93 | |
| UX220 | 40 | 40 | 220 | 102 | 23 | 19 | 102 | |
| UX10 | 45 | 40 | 250 | 117 | 25 | 20 | 117 | |
| UX11 | 45 | 40 | 300 | 142 | 26 | 21 | 142 | |
| UX12 | 55 | 50 | 350 | 165 | 27 | 22 | 165 | |
| UX13 | 55 | 50 | 400 | 188 | 28 | 23 | 188 | |
| UX14 | 70 | 50 | 450 | 215 | 29 | 24 | 215 | |
| UX15 | 70 | 50 | 500 | 238 | 30 | 25 | 238 | |

Date d'émission
JUILLET 2015

Autorisation Direction

TOLÉRANCES

| DIMENSION | DIAMÈTRE | ÉPAISSEUR | HAUTEUR | A | B |
|-----------|----------|-----------|---------|-------|-------|
| 30-100 | ± 5 mm | -2 mm | ±15 mm | ±2 mm | ±2 mm |
| 110-200 | ± 5 mm | -2 mm | ±20 mm | ±2 mm | ±2 mm |
| 220-300 | ± 5 mm | -3 mm | ±30 mm | ±3mm | ±3 mm |
| 350-600 | ± 10 mm | -3 mm | ±30 mm | ±3 mm | ±3 mm |