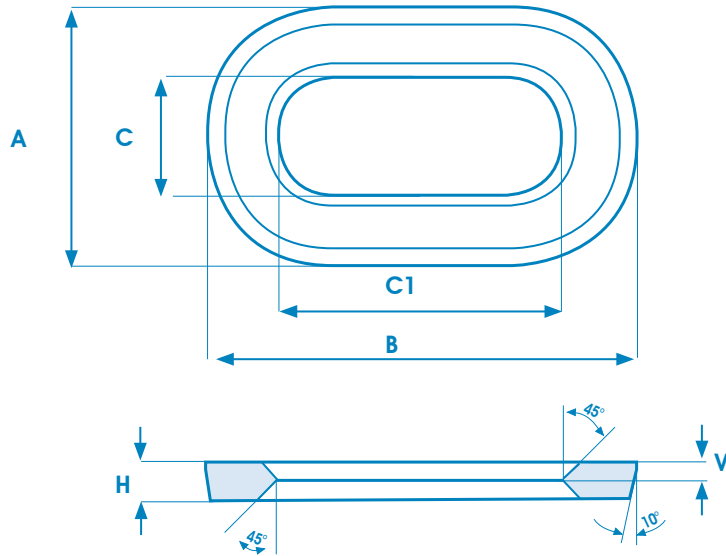




# SILICA, SILICA/MAGNETITE AND MULLITE CORE BREAKERS



TYPE **V**

TYPE	A mm	B mm	C mm	C1 mm	H mm	V mm
V4	85	169	36	100	8	4
V4/5	108	186	33	113	14	4
V5	130	190	33	113	14	4
V6	133	232	41	140	14	5
V7	155	276	49	168	14	5
V8	180	320	57	195	16	5
V9	205	364	65	225	16	5

Date of issue  
JULY 2015

Board authorization

### TOLERANCES

A	B	C	C1	H	V
-2 mm	-2 mm	-2 mm	-2 mm	±2 mm	±2 mm