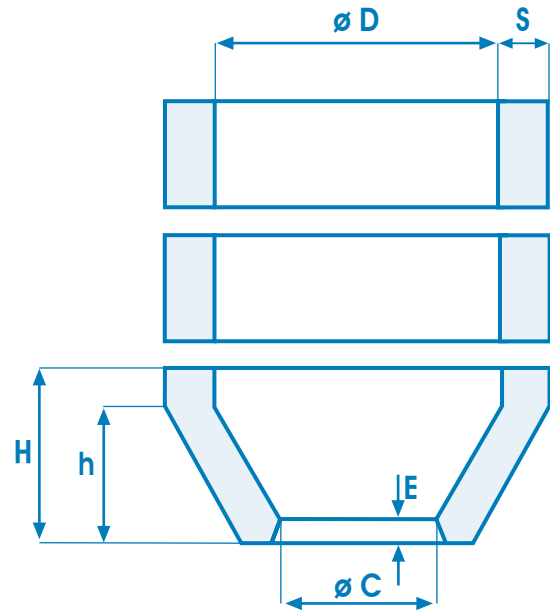




NARROW-NECKED SLEEVES TERMIK ISOL 53 - ISOL 30



TYPE **T** - MD

TYPE	D mm.	C mm.	S mm.	E mm.	H mm.	h mm	Capacity dm ³
TMD 12	400	195	26	8	200	165	15,90
TMD 13	450	220	28	8	300	185	34,40
TMD 14	500	295	28	8	300	160	47,00
TMD 15	550	320	30	10	300	190	55,10
TMD 16	600	345	30	10	300	245	64,30
TMD 17	650	400	32	10	300	195	75,10
TMD 18	700	450	32	10	300	215	84,50

Date of issue
JULY 2015

Board authorization

TOLERANCES

DIMENSION	DIAMETER	THICKNESS	HEIGHT
400-700	± 10 mm	-5 mm	-15 mm